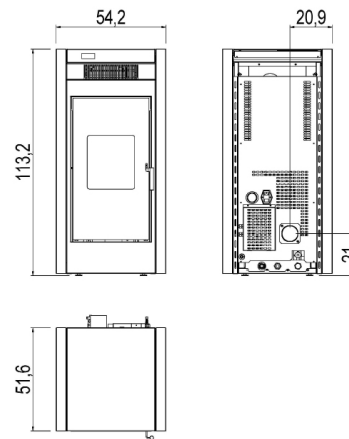


STOVE STRUCTURE CODE 7014011
 EAN 8033123614665
 STOVE STRUCTURE CODE 7014025 (BAFA)
 EAN 8033123615037

STEEL

- WHITE
6914006
EAN 8033123614818
- CHROME
6914007
EAN 8033123614825
- RED
6914005
EAN 8033123614801



EXTRA



Back exhaust



Overheating protection



Connection to the external thermostat



Daily weekly programming



Air temperature sensor



Water temperature sensor



Connection to the heating system

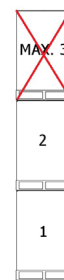
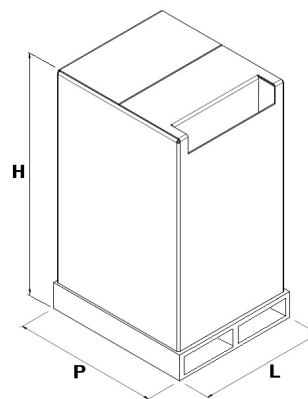


Cast iron burning pot

TECHNICAL DATAS

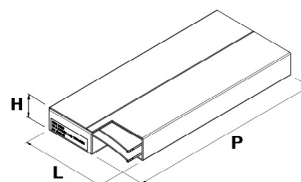
Nominal power	kW	21
Reduced power	kW	4,4
Nominal water useful power	kW	17
Reduced water useful power	kW	3
Nominal efficiency	%	92,5
Reduced efficiency	%	95
Heating volume (min-max)	m ³	106 - 504
Nominal CO at 13% O ₂	%	0,012
Reduced CO at 13% O ₂	%	0,04
Nominal dust content at 13% O ₂	mg/Nm ³	2
Boiler capacity (H ₂ O)	l	14
Hopper capacity	kg	29
Combustible		Pellet ø6
Hourly consumption (min-max)	kg/h	0,90 - 4,90
Autonomy (min-max)	h	32,2 - 5,9
Ignition electrical absorption (max)	W	420
Operating electrical absorption (max)	W	120
Supply and frequency	V - Hz	230 - 50
Chimney flue depression	Pa	10
Exhaust diameter	mm	80
Combustion air inlet diameter	mm	50
Mass of smoke (min-max)	g/sec	4,5 - 12,6
Exhaust fumes temperature (max)	°C	160
Net weight	kg	150
Gross weight	kg	160

PACKAGING AND STOCKING



L (cm)	68
H (cm)	133
P (cm)	80

LINING PACKING



LINING	L (cm)	H (cm)	P (cm)
Steel	54,5	12,5	114



Art. 15A B-VG 2015



BlmSchV 2015



Regensburg



München



Stuttgart



Aachen